

30 YEARS
TRADITION

CATALOG

HIDUS d.o.o.
Gorišnica 3a
2272 Gorišnica
Slovenia

+386 (0)2 743 50 33
+386 (0)41 650 730
+386 (0)51 327 252

hidus@siol.net
www.hidus.si

Manufacturing and
installation of
**LIFTS AND
STEEL STRUCTURES**



HIDUS



About our company

HIDUS Company Ltd. is a family owned company whose origins date back to the year 1992. Company founder Davorin Šterbal has founded the company after the dissolution of the Hiko Olga Meglič Ptuj Company, where he gained a number of work experiences in the field of hydraulics. Initially, the production took place in the home workshop of 90 m², but as the company steadily grew, it moved in year 2000 to the new administrative, production and storage facilities in the industrial zone in the village Formin, consisted of 800 m².

Our company is specialized in manufacturing, installation and servicing of hydraulic equipment (hydraulic lift tables, hydraulic lifts, hydraulic folding ramps). Over the last few years, in addition to the said hydraulic program the company manufactures and installs the steel constructions. Together with our personalized approach, tailored to your needs and desires, and our ideas and proposals for the construction of production facilities, storage halls, canopies, etc., we come to integrated solutions and project implementation.

In 2008 the company expanded its business premises and has built an additional storage hall of 1000 m². Thus, the company currently operates on 1800 m².

From the time of pre-foundation until now we have gained enough experience and knowledge meaning that we can offer quality products and services, which meet the requirements of domestic and foreign standards. The business policy strives for competitiveness of products and services, which is achieved through constant investment in the latest technology and education of employees. Only in this way we can guarantee the quality of production and assembly.

In our company we ensure a clean environment, as waste generated in the production is destined for recycling. Part of the company's revenue is devoted to charity and sponsorship.

Lifting tables

The company designs, manufactures, installs and maintains lift tables. Load capacity, size, height of lifting and speed is adjusted to the customer.

Hydraulic lifting tables are indispensable tools for lifting of loads, overcoming differences in height, actuation of machines, loading, complementing technological lines, etc. They are also used in theaters as lifting and submersible platforms, as platforms for disabled persons in individual homes and hospitals, as "cargo platforms" in airport traffic or as an assembly platform for road and rail transport.

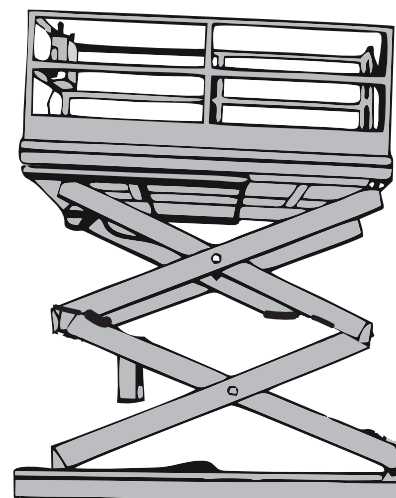
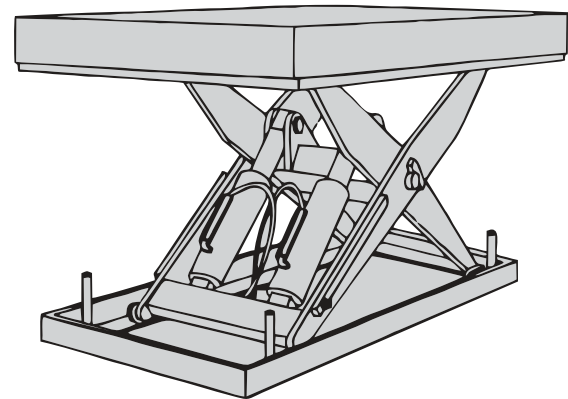
The lifting tables can be upgraded: with driven or non-driven roller conveyors, fixed or removable guardrail, the turntable, the plate with ball transfer unit, the feeding device and others.

A safety frame is mounted under the edge of the platform which stops lowering the lifting table, if there is an obstacle underneath, such as an arm or a leg. The lifting table is protected with a security (overload) valve adjusted to the rated capacity. Directly on the hydraulic cylinders are installed reverse blocking valves (the valve of the pipe angle) to stop the lowering or lifting the table in the event of damage to the pipeline.

HIDUS lifting tables are distinguished by ease of use and high reliability. The built-in quality installation parts with their high quality guarantee a long lasting smooth operation. The lifetime of lift tables is approx. 25 years. We guarantee a 24 month warranty on all components.

LIFTING TABLES – SINGLE SCISSORS

Table type	Carrying cap. Q (kg)	Dimensions A x B (mm)	Table move H (mm)	Min. height h (mm)	Time t (sec)	Power P (kW)
M 5/8	500	1350 x 800	800	220	15	0,75
M 5/11	500	1800 x 1000	1100	250	24	0,75
M 5/15	500	2400 x 1000	1500	280	38	0,75
M 10/8	1000	1350 x 800	800	220	25	0,75
M 10/11	1000	1800 x 1000	1100	280	30	1,1
M 10/15	1000	2400 x 1000	1500	350	33	1,1
M 20/8	2000	1350 x 800	800	300	33	1,1
M 20/11	2000	1800 x 1000	1100	360	35	1,1
M 20/15	2000	2400 x 1000	1500	380	35	2,2
M 30/12	3000	2000 x 1200	1200	360	30	2,2
M 30/15	3000	2500 x 1200	1500	380	35	3,0
M 30/19	3000	3000 x 1200	1900	420	38	4,0
M 40/15	4000	2500 x 1500	1500	500	33	3,0
M 40/19	4000	3000 x 1500	1900	550	38	4,0
M 50/15	5000	2500 x 1500	1500	500	33	3,0
M 50/19	5000	3000 x 1500	1900	550	38	4,0
M 100/15	10000	2500 x 2000	1500	600	65	5,5
M 100/20	10000	3500 x 2000	2000	700	90	5,6

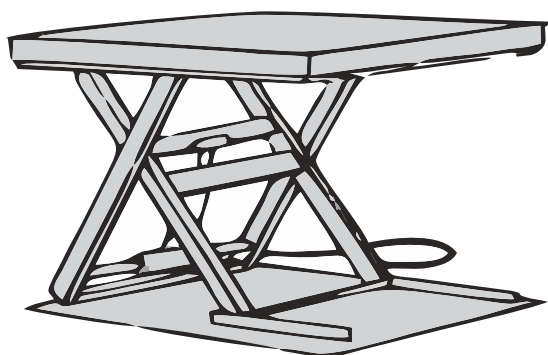
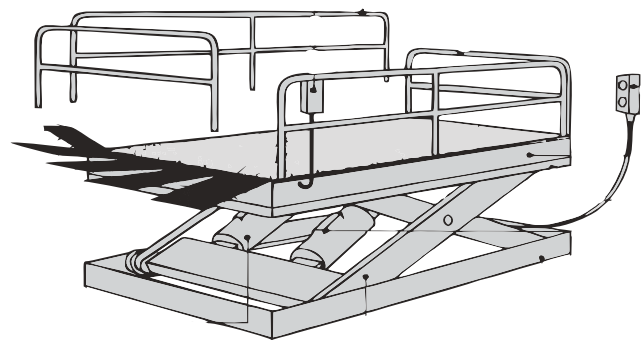


LIFTING TABLES – DOUBLE SCISSORS

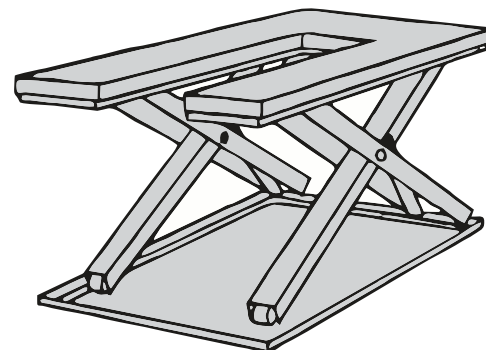
MV 5/16	500	1350 x 1000	1600	360	24	1,1
MV 5/30	500	2400 x 1000	3000	420	42	2,2
MV 10/18	1000	1350 x 1000	1600	360	24	1,1
MV 10/22	1000	1800 x 1000	2200	400	34	2,2
MV 10/30	1000	2400 x 1000	3000	540	48	2,2
MV 20/18	2000	1500 x 1200	1800	400	30	2,2
MV 20/30	2000	2400 x 1200	3000	540	62	3,0
MV 30/18	3000	1500 x 1200	1800	450	36	3,0
MV 30/30	3000	2400 x 1200	3000	600	62	3,0
MV 50/30	5000	2400 x 1500	3000	700	55	4,0
MV 50/50	5000	4000 x 2000	6000	800	77	5,5



The lifting table is made of upper and lower frame (working platform), scissor lifting mechanism, hydraulic power unit and electric equipment. The necessary lifting force is given by two parallel mounted hydraulic cylinders. The hydraulic power unit and main electric panel may be arranged under or along the lift table. The scissor mechanism can have one, two or more stages. The number of levels depends on the size of the table and the desired lifting height.



Low-profile lift tables achieve low closed heights. There is no need for installation in the pit - cut-out. The lowest height is 80mm.



U-shaped lifting tables are used in handling of standard pallets together with handcart. They do not need a shaft or loading platforms, lowered height is 80mm.

Folding tables

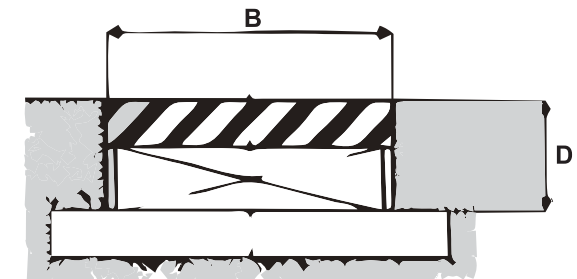
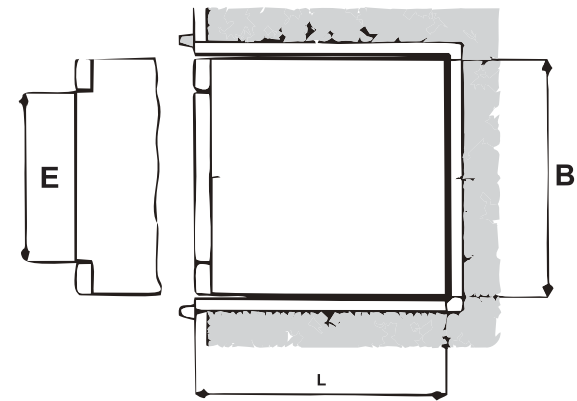
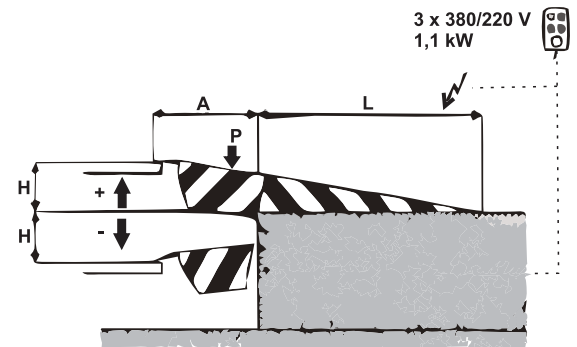
The company designs, manufactures, installs and maintains hydraulic folding tables. Load capacity, size, height of lifting and speed is adjusted to the customer.

Hydraulic folding table is intended for easier and especially faster loading and unloading of freight vehicles in warehouses, which are arranged according to the principles of modern logistics, as well as the manipulation on other loading ramps.

Hydraulic folding table allows a smooth transport of palletized cargo from the warehouse to the transport vehicle and vice versa, with all means of transport (forklifts, carts etc). The time of transshipment is thus significantly reduced. The folding table may be installed in a storage facility alone or in combination with expedite tunnel and doors.

It consists of a frame with folding platform and a pier which moves back and forth. All movements of the ramp are electro-hydraulic. Hydraulic folding ramp is designed so that it can also be formed within the devices which according to the technological requirements operate depending on each other, such as roll-up door and sealing curtain over the control. The hydraulic folding ramp fits all standard types of transport vehicles.

HIDUS folding tables are distinguished by ease of use and high reliability. The built-in quality installation parts with their high quality guarantee a long lasting smooth operation. The lifetime of foldable tables is approx. 25 years. We guarantee a 24 month warranty on all components.



Technical informations

L (mm)	B (mm)	A (mm)	H (mm)	D (mm)	E (mm)	P (kg)
2400	1900	0-500	+400	800	1460	2000
	2100	0-500			1560	4000
	2300	0-500			1660	6000



HPR-20-40-60

Modern construction and modern production technology combined with appropriate quality materials guarantee you safety and reliable use of the hydraulic folding platform.

Hydraulic folding platform fits all standard types of transport vehicles regardless of their height. The normal height of the truck floor is between 900 and 1450 mm. Refrigerators are about 100mm higher than ordinary trucks. Only jumbo transporters have extreme dimensions (650mm only) and some container transporters (up to 1650mm).

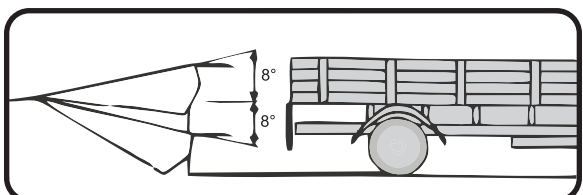
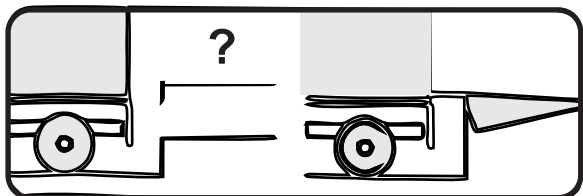
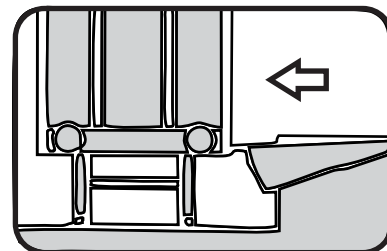
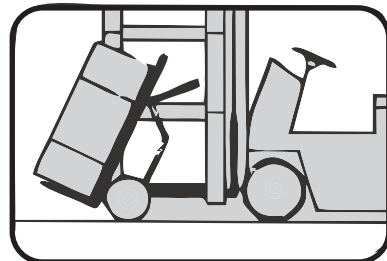
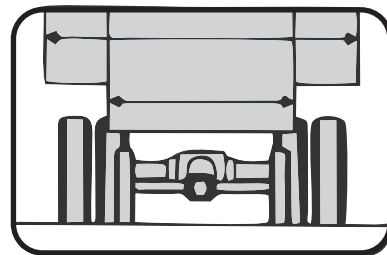
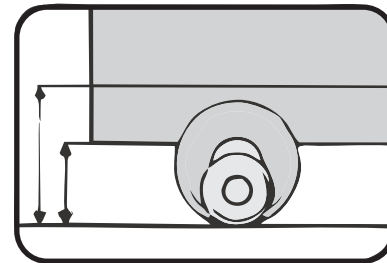
The hydraulic folding platform is also adjustable in width and thus fits all standard vehicle widths. Widthstruck platforms vary between 1700 and 2400 mm. The hydraulic folding ramp pier is constructed in such a way that to cover widths between 1500 and 1900mm. This flexibility enables a pair of movable flaps on each side of the hydraulic folding ramps.

Loading with the help of a hydraulic folding platform is possible with forklifts, carts or other aids. Carrying capacity of hydraulic folding ramps also depends on the means, which are available to us for loading or unloading. The load capacity of a standard hydraulic folding ramp is 4000kg. We are also at your disposal if they are required extreme load-bearing capacity.

For loading and unloading in rail transport we equipped the hydraulic folding ramp with a movable one pier. The stroke of the pier is 500 mm and it is easy automated.

The ideal height of the hydraulic folding platform is 1200mm, for refrigerators 1300 mm. Of course, these dimensions can also be different, especially if the company uses trucks different levels.

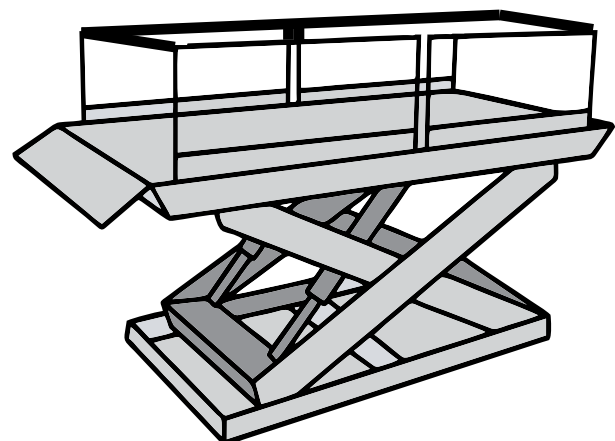
For safety reasons, the tilt of the hydraulic folding platform up or down does not exceed 8°. The HPR platform is designed so that forklifts and other aids can safely transport the desired goods.



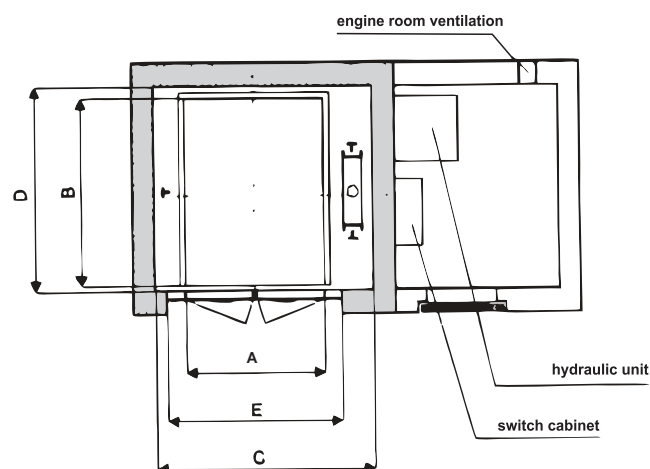


Freight elevators

We manufacture, design, install and maintain passenger freight, disabled and panoramic elevators. The load capacity, size, lifting height and speed can be adjusted to the buyer's wish. Hydraulic cargo lift with attendant (or without) is intended for the transport of goods between two or several floors. This type of transport is suitable in production facilities, warehouses... The lift is mounted in driving shaft, which can be brick or thin-lined sheet metal or aluminum. The cabin is made of a steel frame and clad with sheet steel. The guides are made of towed of steel profiles, rigidly bound with couplings and guided throughout shaft height. Shaft doors, double-leaf or single-leaf, are built into the wall of the shaft or the portal of the steel structure. The power unit is located anywhere along the drive shaft. The elevator is inspected by the Institute for the Protection of work and has obtained all necessary certificates.



Hydraulic cargo lift with attendant (or without) is intended for the transport of goods between two or more floors. This type of transport is suitable for V production facilities, warehouses. The lift is mounted in driving shaft, which can be brick or thin-lined sheet metal or aluminum. The cabin is made of steel frame and covered with sheet steel. On four guide jaws are mounted on the frame, which enable calm and safe movement of the cabin. They led from drawn steel profiles, rigidly connected with couplings and guided along the entire height of the shaft. The cabin does not have a door, but it does provide ventilation and lighting. The light shines when they are any door open, or if the elevator is called. Shaft door, double-leaf or single-leaf, made of sheet steel, are built into the wall of the shaft or the steel portal constructions. The power unit is located in the engine room, which it can be located anywhere along the drive shaft. Cylinder is made of high-quality steel, and the outer surface of the piston it is polished and hard chrome plated. The elevator is inspected by pages of the Institute for Safety at Work and has acquired everything required certificates.



Safety takes priority

The lift is protected against overload by a safety device valves, while the non-return valve prevents lowering the cabin (in the case of the indirect version, also the brake). A valve against pipe breakage is also installed on the cylinder. Electromechanical safety devices are installed in the shaft door locks that prevent the shaft door from being opened if for the cabin does not fit them. Electrical contact in locks the shaft door only works when the door is properly closed. Final switches located in the shaft cut off the driving current in the in case of exceeding the upward path. The manual valve serves for going down in the event of a power failure if it remains cabin between floors. Alarm device in the cabin, serves for calling for help in case of need. It also works in the event of a power cut in the city network.





Steel constructions

We design and manufacture all types of steel structures. Along with our individual, customized approach your needs and wishes, as well as our ideas and proposals for the construction of production facilities, storage halls, canopies, we arrive at integrated solutions and project implementation. Industrial facilities are almost not built in the classic way they build more. The prefab construction of production and storage halls is faster compared to the classic construction, built in this way facilities can be adapted to new needs more easily.

Advantages of prefabricated construction

The steel construction is much lighter than the concrete construction, so the preparation of the base and foundations is simpler and faster. The steel structure, which is intended for prefabricated construction, has already been processed by us and is on site after assembly ready as soon as it is placed. This enables the immediate continuation of construction - fixing the facade and roof elements...

Steel - building material

As a building material, steel has properties that enable optimal solutions in the field of aesthetics, and it is impeccable also from an economic, environmental, technical and safety point of view. It is known as a material with rich expressive possibilities and important technical properties such as tensile strength, bridging large spans, fast and accurate construction, flexibility and easy maintenance. Steel enables successful combinations with other materials, especially with glass, which can give business facilities a special aesthetic value.

Safe and harmless to health

Rapid development of prefab industrial facilities is required not only by users, but also by regulations on safety and fire protection and requirements for mechanical resistance. Prefabricated buildings thus no longer have major drawbacks. They can meet all the basic requirements for high-quality and sustainable construction dictated by the European directive on construction products. The facilities are also increasingly harmless to health. They are most often used in prefabricated construction steel structures and various covering materials - tarpaulins, insulation boards or a combination of both...

Overlapping of prefab facilities

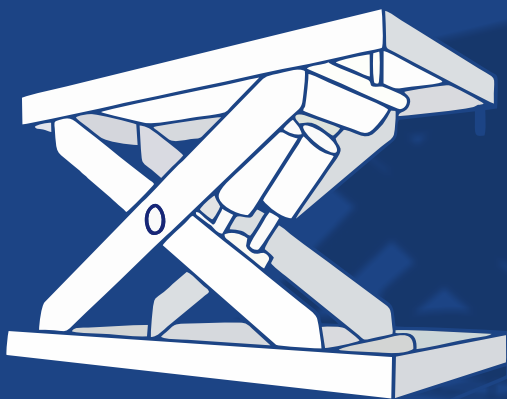
The materials with which we cover prefab structures have also experienced enormous progress in recent times facilities. In addition to classic non-flammable PVC of various weights, various sheet metal and thermopanel of various thicknesses, which can be used to cover both the sides and the roof. Building with such materials can be significantly cheaper than the classic one, sometimes even up to 80 percent.



HIDUS

MANUFACTURING AND INSTALLATION OF
LIFTS AND STEEL STRUCTURES

30 YEARS
tradition



HIDUS d.o.o.
Gorišnica 3a,
2272 Gorišnica
Slovenia EU

+386 (0)2 743 50 33
+386 (0)41 650 730
+386 (0)51 327 252

hidus@siol.net
www.hidus.si